



**Quality workholding  
since 1933**

## Replaceable Bell Head Centers

### MANDRELS

Part #	Taper	Threads	E	K	Bell Head	Price
01104	4MT	--	0.50	2.19	Series 1	\$273.81
01114	4MT	M35 x 1.5	0.75	2.44	Series 1	\$342.95
01105	5MT	--	0.50	2.19	Series 1	\$373.37
01115	5MT	M45 x 1.5	0.75	2.44	Series 1	\$442.51
01125*	5MT	M45 x 1.5			Series 1	\$788.23
01106	6MT	--	0.50	2.63	Series 2	\$627.82
01116	6MT	M55 x 2.0	0.75	2.88	Series 2	\$710.79

Threaded mandrels include the extraction nut.

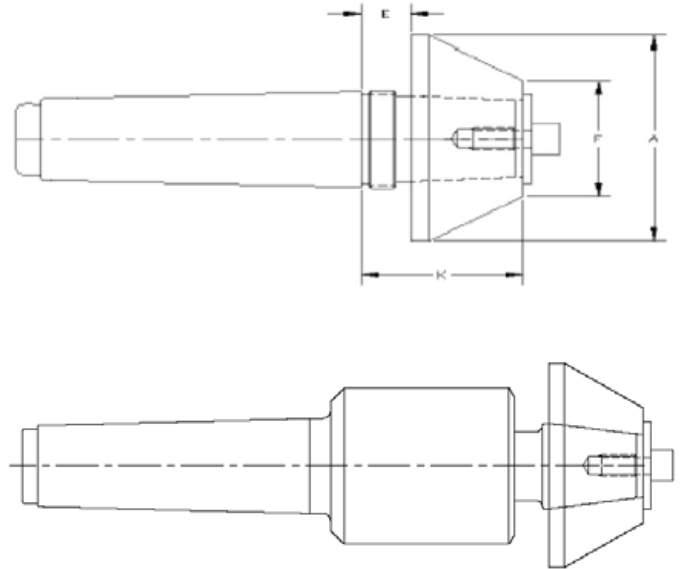
\* Fits Mazak Style Taper

### LIVE CENTERS

Part #	Taper	Max Wt	Bell Head	Pricing
51404	4MT	1,760 lbs	Series 1	\$951.41
51405	5MT	3,520 lbs	Series 1	\$1017.78
34405	5MT	6,400 lbs	Series 2	\$1725.81
34406	6MT	11,200 lbs	Series 2	\$2646.79

### BELL HEADS (Fit both Mandrels and Live Centers)

Part #	A	F	N	Bell Head	Pricing
01375	3.75	2.12	1.69	Series 1	\$531.02
01525	5.25	3.62	1.69	Series 1	\$661.01
01675	6.75	5.12	1.69	Series 1	\$843.54
01825	8.25	6.62	1.69	Series 1	\$1042.67
01975	9.75	8.12	1.69	Series 1	\$1274.99
02055	5.50	3.33	2.13	Series 2	\$907.15
02075	7.50	5.33	2.13	Series 2	\$1178.19
02095	9.50	7.33	2.13	Series 2	\$1510.08
02115	11.50	9.33	2.13	Series 2	\$1770.06
02135	13.50	11.33	2.13	Series 2	\$2099.18



EDGE EDGE EDGE EDGE EDGE  
EDGE EDGE EDGE EDGE EDGE  
EDGE EDGE EDGE EDGE EDGE  
EDGE EDGE EDGE EDGE EDGE

EDGEPRODUCTION.COM EDGE  
EDGE EDGE EDGE EDGE EDGE  
EDGE EDGE EDGE EDGE EDGE  
EDGE EDGE EDGE EDGE EDGE